

## 2nd CPSM Series

KILI CPSM series LED Canopy Light is designed for outdoor lighting applications requiring bright, white light, energy savings and robust performance. Led Canopy Lights provide powerful lighting for outdoor applications. Led Canopy Light Fixtures outperform and outlast their metal halide (MH) counterparts, providing a brighter and more consistent light. Canopy Lights provide low-cost, high-powered flood illumination, and are more durable and long-lived alternatives to traditional halogen. Canopy Fixture are in a variety of colors, sizes, and wattages to suit your commercial lighting needs. This LED canopy light is available in 40W/50W/60W/80W/100W/120W models with delivered lumens of 6,000 to 144,00. This LED canopy light is designed for easy installation and low maintenance. The low-profile canopy light is used in areas where you are trying to save on space without compromising on powerful illumination. It can be used in parking garages, gas station canopies, and more. Ultrathin profile.

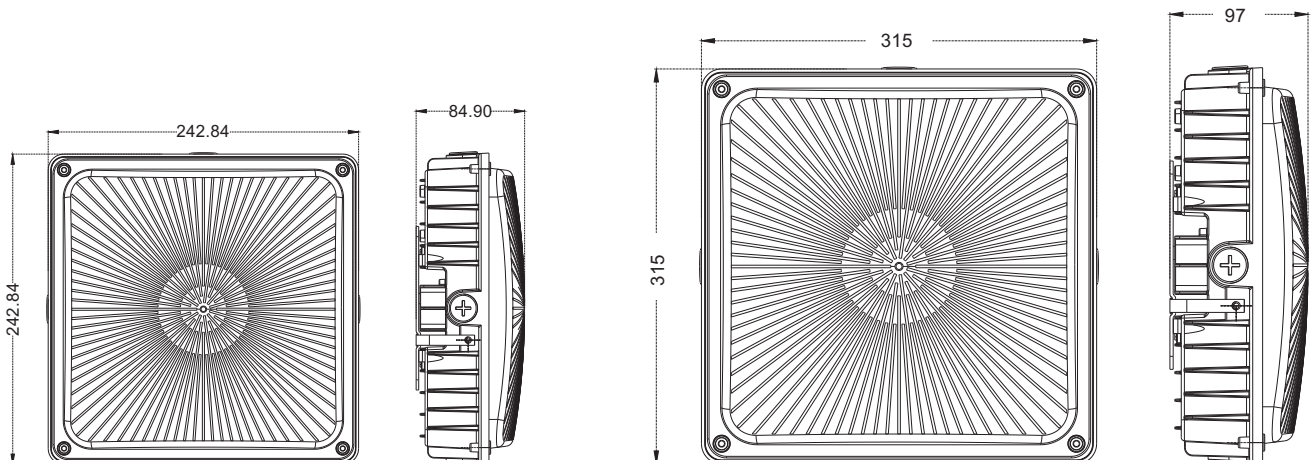
40-80W



100-120W



### DIMENSION:(mm/in)



# 2nd CPSM Series

## APPLICATIONS

- Parking garages
- Walkways
- Gas station
- Exhibition hall
- Outdoor storage areas
- Low-medium bay general
- Soffits
- Warehouse

## FEATURES

- ETL/cETL listed for wet locations, IP65 rated
- 130 lumens per watt
- 100-277V universal voltage
- 0-10V dimming optional
- Photo control available
- Low-profile appearance with shock proof polycarbonate lens



Warehouse



Gas station



Building facades

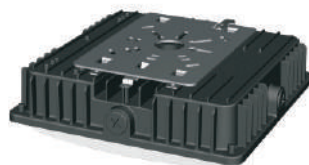


Parking garages

## CONSTRUCTION

- A dark bronze die-cast aluminum housing
- Shatterproof polycarbonate lens
- Commercial grade one-for-one replacement for ceiling-mount fixtures
- The weatherproof light includes a rubber gasket to seal out moisture
- High light transmittance pc cover, high efficient SMD LED chips.

## PRODUCT DETAILS



40-80W



100-120W

# 2nd CPSM Series

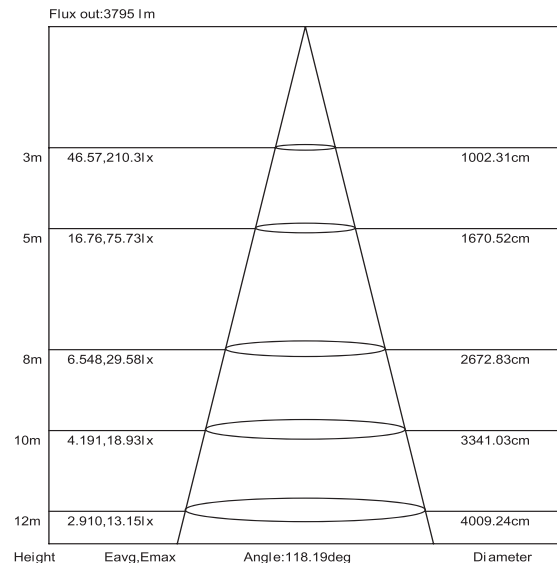
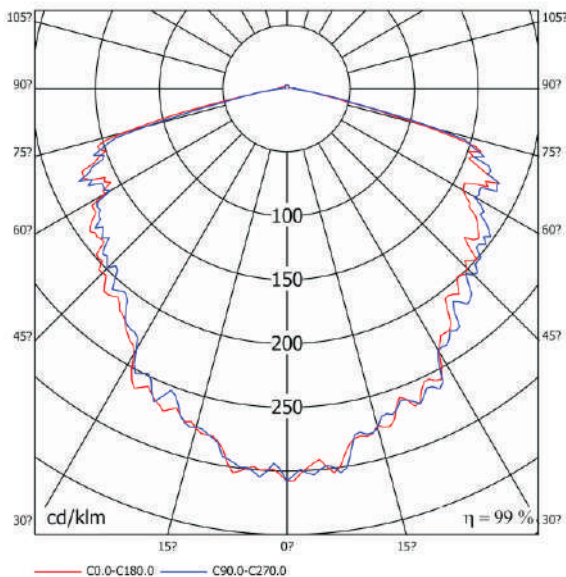
## TECHNICAL SPECIFICATION

- Input Voltage : 100-277VAC
- Driver Type : UL Approved Flicker-free
- Luminous Efficacy : up to 120lm/w
- Colour Rendering Index : > 80Ra
- LED Type : LM80 SMD3030
- Operating : Temperature:-30°C up to 50°C  
(-22°F up to 122°F)
- Color Temperature : 3000K/4000K/5000K/
- Material : Polycarbonate Body & Diffuser
- Ingress Protection : IP65
- Impact Rating : IK08
- Rated Life : 50,000 hours
- Warranty : 5 years

| Produce Code                 | KLCPSM040                                   | KLCPSM050                                   | KLCPSM080                                   | KLCPSM080                                   | KLCPSM100                                   | KLCPSM120                                   |
|------------------------------|---|---|---|---|---|---|
| <b>Power Consumption(W)</b>  | 40W   | 50W   | 60W   | 80W   | 100W  | 120W  |
| <b>Lumens Delivered (lm)</b> | 4800lm                                      | 6000lm                                      | 7200lm                                      | 9600lm                                      | 12000lm                                     | 14400lm                                     |
| <b>Efficacy (lm/W)</b>       | 120lm/w                                     | 120lm/w                                     | 120lm/w                                     | 120lm/w                                     | 120lm/w                                     | 120lm/w                                     |
| <b>Beam Angle</b>            | 120°  | 120°  | 120°  | 120°  | 120°  | 120°  |
| <b>CRI</b>                   | 70  | 70  | 70  | 70  | 70  | 70  |
| <b>Color Temperature</b>     | 3000K/4000K/<br>5000K                       | 3000K/4000K/<br>5000K                       | 3000K/4000K/<br>5000K                       | 3000K/4000K/<br>5000K                       | 3000K/4000K/<br>5000K                       | 3000K/4000K/<br>5000K                       |
| <b>Power Factor</b>          | >0.9  | >0.9  | >0.9  | >0.9  | >0.9  | >0.9  |
| <b>Housing</b>               | Die-cast aluminum body.<br>PC cover diffuse | Die-cast aluminum body.<br>PC cover diffuse | Die-cast aluminum body.<br>PC cover diffuse | Die-cast aluminum body.<br>PC cover diffuse | Die-cast aluminum body.<br>PC cover diffuse | Die-cast aluminum body.<br>PC cover diffuse |
| <b>Input Voltage</b>         | 100-277VAC                                  | 100-277VAC                                  | 100-277VAC                                  | 100-277VAC                                  | 100-277VAC                                  | 100-277VAC                                  |
| <b>Installation</b>          | Surface mounted                             | Surface mounted                             | Surface mounted                             | Surface mounted                             | Surface mounted                             | Surface mounted                             |
| <b>Operating Temperature</b> | -30°C up to 50°C<br>(-22°F up to 122°F)     | -30°C up to 50°C<br>(-22°F up to 122°F)     | -30°C up to 50°C<br>(-22°F up to 122°F)     | -30°C up to 50°C<br>(-22°F up to 122°F)     | -30°C up to 50°C<br>(-22°F up to 122°F)     | -30°C up to 50°C<br>(-22°F up to 122°F)     |
| <b>Certification</b>         | ETL/cETL                                    | ETL/cETL                                    | ETL/cETL                                    | ETL/cETL                                    | ETL/cETL                                    | ETL/cETL                                    |
| <b>Warranty</b>              | 5 years                                     | 5 years                                     | 5 years                                     | 5 years                                     | 5 years                                     | 5 years                                     |

## LUMINAIRE PHOTOMETRIC

### Luminous Intensity Distribution Diagram:



# 2nd CPSM Series

**shatterproof polycarbonate lens**

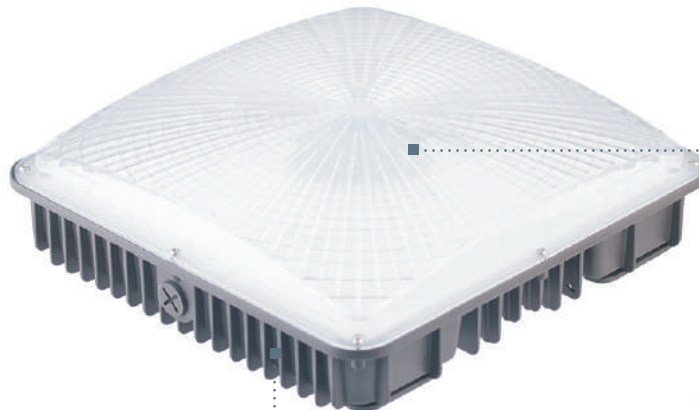
The high lumen output and low profile design make the LED canopy light ideal for building exteriors and parking garages.

High light transmittance pc cover, high efficient SMD LED chips.



**Install multiple ways**

Match J-BOX installation or hanging installation



**High heat dissipation design.**

Die-cast aluminum heat sink for superior thermal performance and increased longevity

**Super Bright**

LED Efficiency up to 120lm/w



## 2nd CPSM Series

### PACKAGING

| Model No.              | Qty (pcs) | L*W*H (CM)   | NW. (kgs) | G.W. (kgs) | Meas. (CBM) |
|------------------------|-----------|--------------|-----------|------------|-------------|
|                        |           |              | Per CTN   | Per CTN    | Per CTN     |
| KLCPSM040<br>KLCPSM050 | 4         | 40*27*27.5CM | 9.2       | 11.2       | 0.03        |
| KLCPSM060<br>KLCPSM080 | 4         | 35*45*35CM   | 9.2       | 11.2       | 0.03        |
| KLCPSM100<br>KLCPSM120 | 4         | 35*45*35CM   | 13        | 15         | 0.06        |